

SAMPLE SOLUTION WRITEUPS FOR ECE 204

FALL 2001

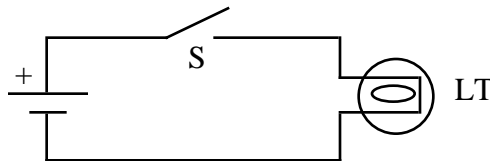
A.P. FELZER

Your solutions to the problems in the investigations need to make clear

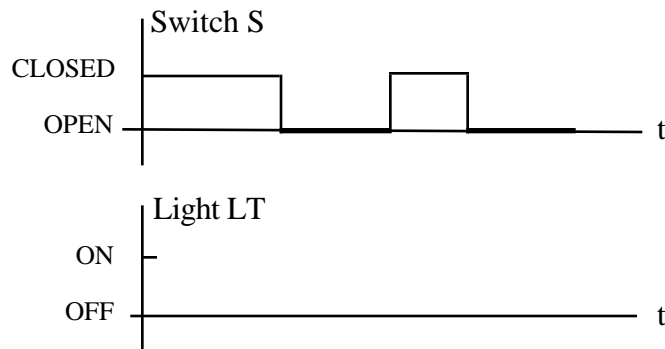
1. What each problem is with a short, concise underlined "headline"
2. What is given
3. How you're solving the problem
4. What your answer is

EXAMPLE SOLUTION WRITEUPS FOR INVESTIGATION 1

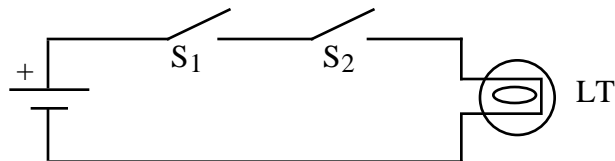
1. Analysis of a simple flashlight circuit



- a. The light LT is ON if S is . . .
- b. A timing diagram for the circuit



2. Analysis of another flashlight circuit



- a. The light LT is ON if . . .
- b. A timing diagram for the circuit . . .

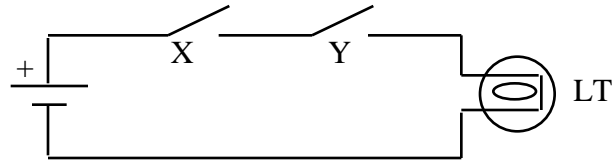
SAMPLE SOLUTION WRITEUPS FOR INVESTIGATION 2

2. Number of rows in the truth table of a switching circuit

a. 5 switches $2^5 = 32$ rows

b. 10 switches

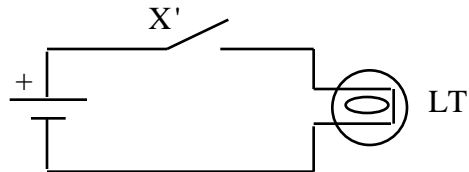
3. Logic statement for a simple switching circuit



If . . .

SAMPLE SOLUTION WRITEUPS FOR INVESTIGATION 3

1. Logic equation and truth table for a simple logic circuit



a. $LT =$

b. Truth Table for LT -

4. Logic equation and logic circuit for a truth table

X	Y	LT
L	L	L
L	H	H
H	L	H
H	H	L

a. $LT =$

b. Logic circuit -